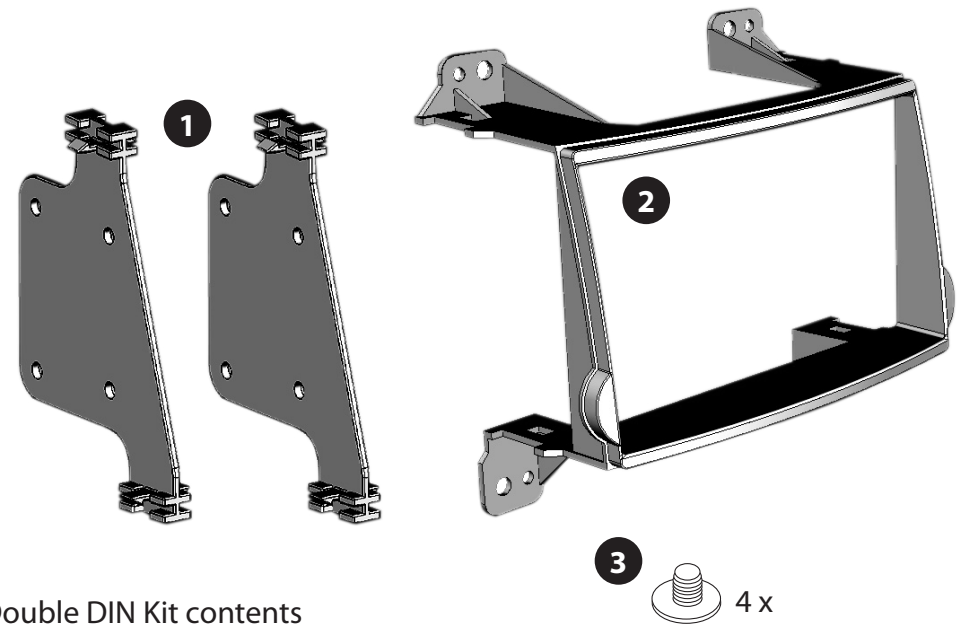


• **Hyundai H-1**

Compatible with these Pioneer double DIN devices

Pioneer Navigation



Double DIN Kit contents

- (1) Mounting Brackets
- (2) Facia Plate

- (3) Fixing Screws

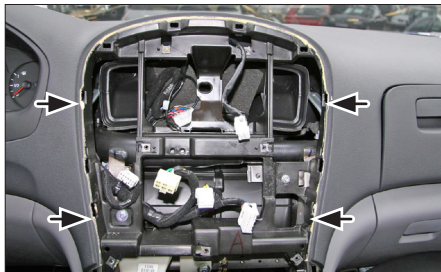
Installation Manual Double DIN Kit 281143-H1-PIO



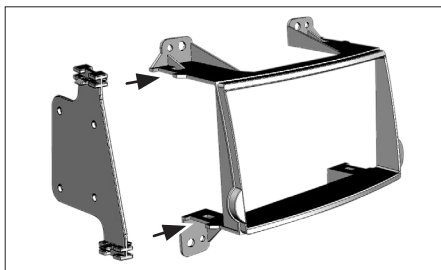
1. Hyundai H-1 dashboard



2. Unclip the gear lever box

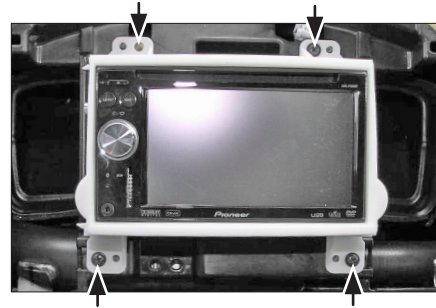


3. Unclip the front panel and remove it



4. Attach the mounting brackets to the fascia plate (see arrows)

Push the Pioneer Navigation into the fascia plate and fix it with screws at both sides



5. Place the Pioneer Navigation with the fascia plate at the dashboard

Connect all required circuit points

Fix the fascia plate to the dashboard with four screws



6. Place the OEM front panel

Reinstall everything in reverse order to finish installation.

*All installation work must be performed by a qualified professional installer only.
The manufacturer / dealer is not liable for any kind of incidental or indirect damages.*