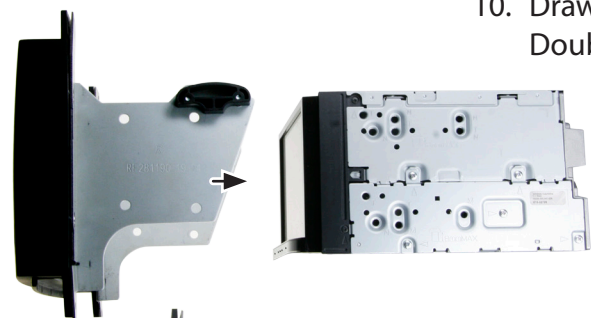
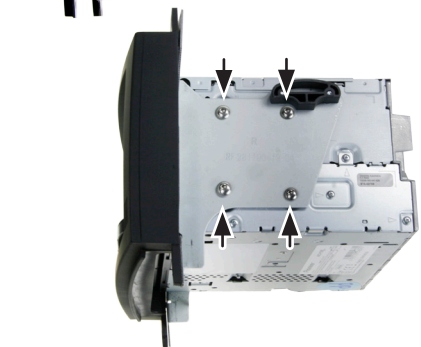


9. Fix mounting brackets to fascia plate



10. Draw fascia plate over Pioneer Double-DIN head unit



11. Fix brackets with 4 Allen screws (see arrows)



12. Connect all required circuit points

Push Double-DIN Navigation into dash board. Fix it with the screws included in this package.

Reinstall everything in reverse order to finish installation

Pioneer

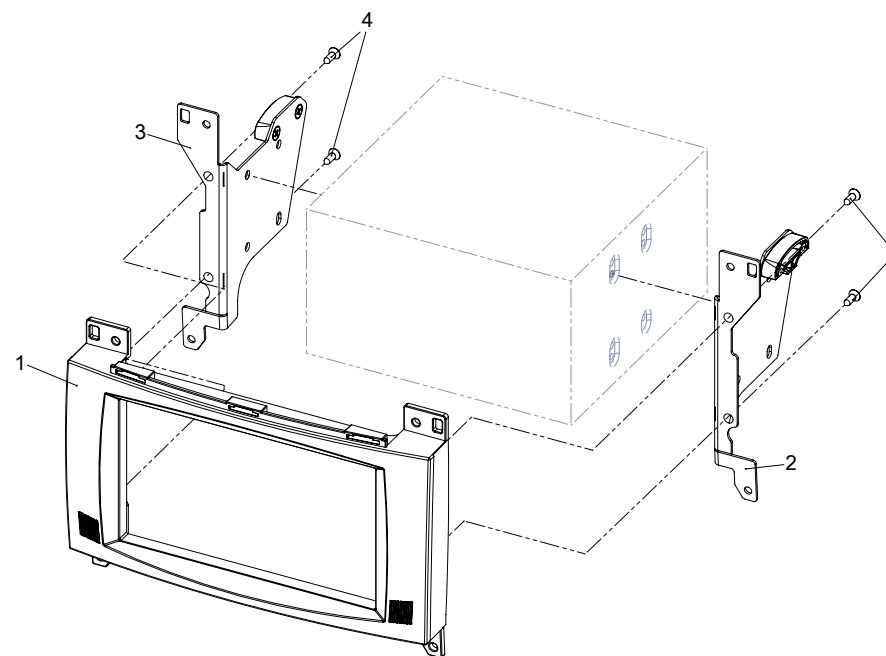
**Installation Manual
Double DIN Kit**

Part-No.: CA-HM-MB.001

- Mercedes A-Klasse (W169) 2005->
- Mercedes B-Klasse (W245) 2005->

Compatible with these Pioneer double DIN devices

Pioneer Navigation



Double DIN Set contents

- (1) Facia Plate
- (2) Mounting Bracket (left)
- (3) Mounting Bracket (right)
- (4) Fixing-Screws

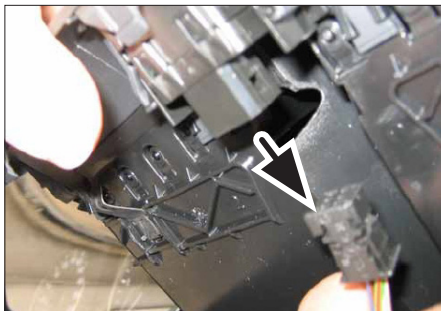


1. *Note: For 1-DIN OEM head units you need a new OEM-bezel for climate control*

Place hook tool in top row of air vents in order to release fixing hooks



2. Pull air vents out of dashboard



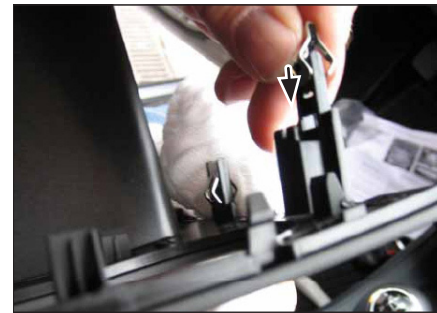
3. Remove hazard light switch plug



4. Unclip center console



5. Pull out center console



6. Info: Make sure all metal clips are in the right position



7. Remove screws of OEM head unit



8. Remove OEM head unit